

LIFTMOORE 1032 CRANE

**10,000 FT.-LB. MOMENT RATING
3200 LB. MAXIMUM CAPACITY
WITH POWER OPTIONS**

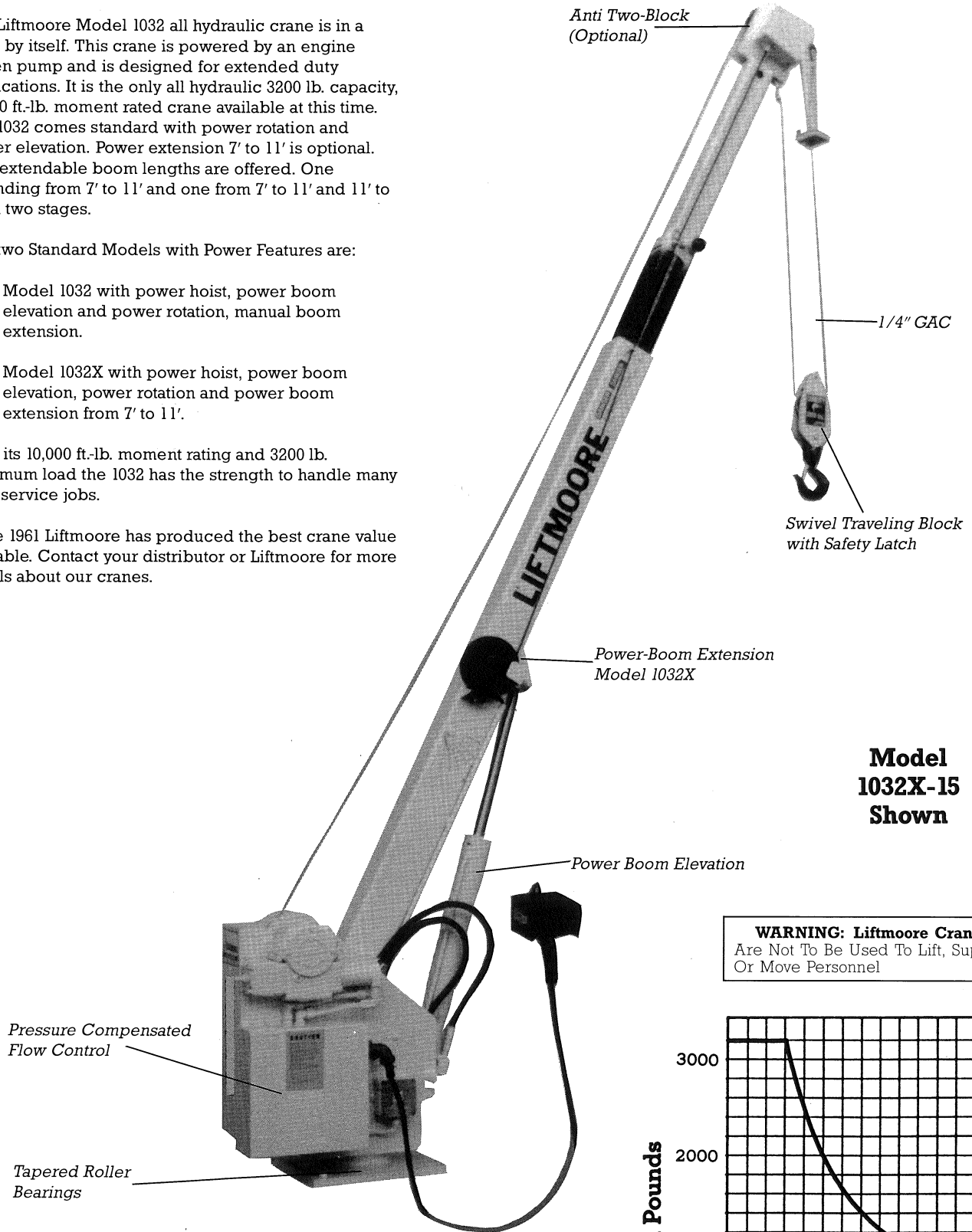
The Liftmoore Model 1032 all hydraulic crane is in a class by itself. This crane is powered by an engine driven pump and is designed for extended duty applications. It is the only all hydraulic 3200 lb. capacity, 10,000 ft.-lb. moment rated crane available at this time. The 1032 comes standard with power rotation and power elevation. Power extension 7' to 11' is optional. Two extendable boom lengths are offered. One extending from 7' to 11' and one from 7' to 11' and 11' to 15' in two stages.

The two Standard Models with Power Features are:

1. Model 1032 with power hoist, power boom elevation and power rotation, manual boom extension.
2. Model 1032X with power hoist, power boom elevation, power rotation and power boom extension from 7' to 11'.

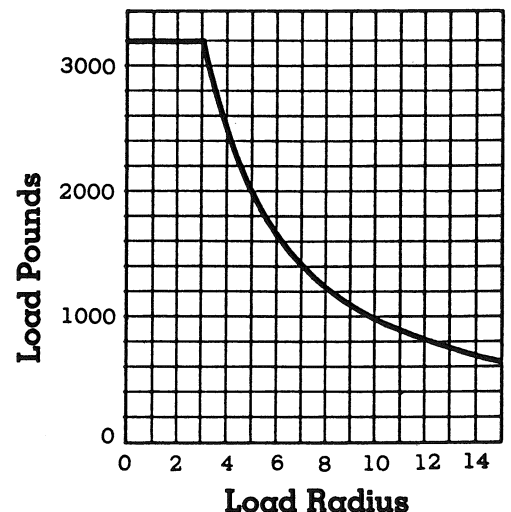
With its 10,000 ft.-lb. moment rating and 3200 lb. maximum load the 1032 has the strength to handle many field service jobs.

Since 1961 Liftmoore has produced the best crane value available. Contact your distributor or Liftmoore for more details about our cranes.



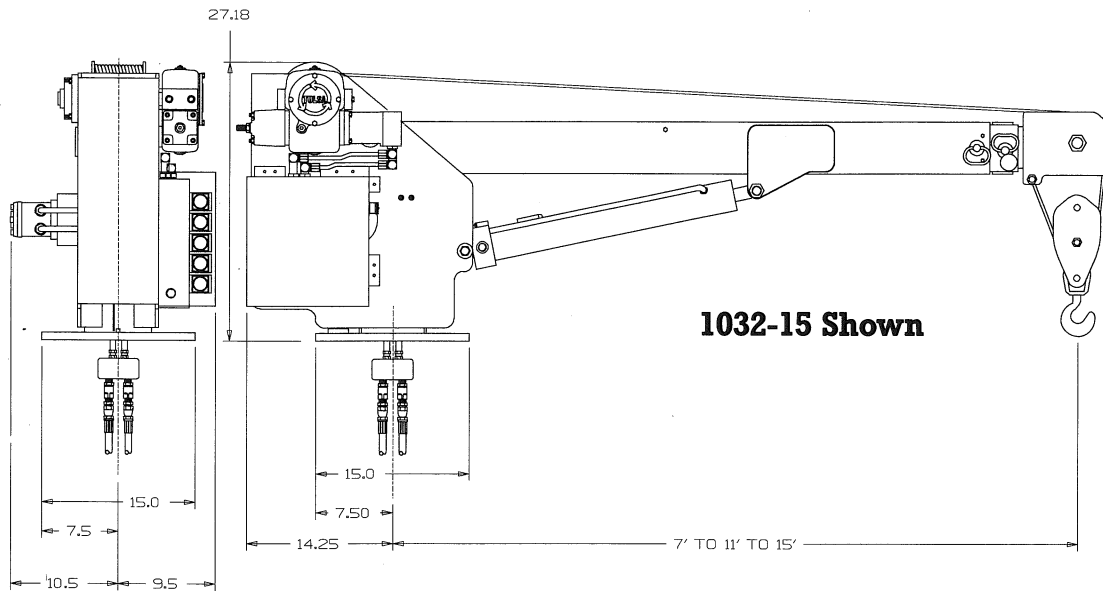
**Model
1032X-15
Shown**

WARNING: Liftmoore Cranes
Are Not To Be Used To Lift, Support
Or Move Personnel



LIFTMOORE, INC.
11505 Todd
Houston, Texas 77055
FAX (800) 824-5559 (USA & Canada)
FAX: (713) 688-6324
(713) 688-5533

1032 SPECIFICATIONS



Moment Rating:

10,000 Ft.-Lbs.

Lift Capacities:

*3200 lbs. @ 3 ft. 909 lbs. @ 11 ft.
 *2500 lbs. @ 4 ft. 769 lbs. @ 13 ft.
 1428 lbs. @ 7 ft. 666 lbs. @ 15 ft.
 1111 lbs. @ 9 ft.

*Use the traveling block provided and double line hookup for loads greater than 1600 lbs.

Boom:

Standard length 7' to 11' (manual or powered). Optional length 7' to 11' (manual or powered) with 11' to 15' manual extension. Angle varies from -5° to $+75^{\circ}$.

Winch:

The hoist winch is a worm gear design with 1,600 lb. capacity. The winch has 38:1 worm gear ratio and a safety brake with one way clutch that releases on hoist up. The ratio between winch drum and wire rope diameters meets ANSI requirements. The winch is powered by a low speed, high torque hydraulic motor. Line speed (single line) with no load is 19 FPM.

Winch Cable:

1/4" Galvanized aircraft cable 62 ft. long is supplied with snatch block for double line operation. Breaking strength of cable is 7,000 lbs.

Rotation:

A worm gearset driven by a low speed, high torque hydraulic motor powers the crane's rotation function. The 1032 rotates on two 3.75" ID tapered roller bearings. 375° rotation is standard.

Hydraulic System:

This crane uses a pressure compensated flow control hydraulic system. A pilot operated differential sensing valve controls the flow rate to the rotation, elevation and extension functions. Excess flow is returned to tank at the functions operating pressure, not the relief pressure.

An optional proportional flow control system is offered. With this system the speed of each function can be varied between zero and full flow through a trigger switch in the pendant control.

Pump, reservoir, or hoses are not included. Fluid supply requirement is 6 GPM maximum flow and 2500 PSI maximum pressure.

Remote Pendant:

All powered functions are controlled by a remote pendant control that is 3 ft. longer than the maximum boom length. The control is removable to prevent unauthorized use.

Electrical:

The 1032 crane's powered functions are all controlled by 12V. DC. electric solenoid valves. 25 feet of 10 gauge wire and a 15 amp fuse are included.

Mounting:

Four 1/2" Grade 8 bolts are supplied. Crane mounts on a 15" square base plate with 12" square bolt pattern.

Optional Accessories:

30328 Jack Stand, over centering
 38030 Manual pull out, crank down outriggers
 30330 Drum Tongs
 30681 Pedestal for Pickup bed
 30682 Pedestal for Flat bed
 30589 Load Sensor
 30679 Boom Rest
 33386 Anti Two-Block



LIFTMOORE, INC.
 11505 Todd
 Houston, Texas 77055
 FAX (800) 824-5559 (USA & Canada)
 FAX: (713) 688-6324
 (713) 688-5533