

LIFTMOORE 2700A CRANE

8,100 Ft.-Lb. MOMENT RATING
2700 Lbs. MAXIMUM CAPACITY

The 2700A is designed for your light duty lifting requirements that were formally handled by the 2700 series manually elevated boom cranes.

A power elevation cylinder provides full control of the load without the necessity of using a hand pump to change the boom angle. An electric-hydraulic pump raises the boom angle from -5 to +75 degrees. The boom is lowered by gravity with a velocity fuse for overrunning protection in case of hose failure.

Manual rotation is standard on the 2700A. A power rotation model is also available, the 2700AR.

A ten foot maximum boom length is standard with a ten to fourteen foot optional boom length.

This model complies with OSHA standard 1910.180, including drum/wire rope ratios and SAE J1063 strain gage testing required by the OSHA standard.

A load sensor is included as standard equipment to limit winch up and boom down.

Liftmoore has supplied crane products to industry for over 35 years. Let our experience benefit you. Contact Liftmoore for your closest distributor to satisfy your lifting needs.

Sheave meets ANSI Ratio

1/4" GAC

Traveling Block w/hook and Safety Latch. Meets ANSI Standard

Extension 6-10 ft. or 6-10-14 ft.

Model 2700A-14 (Shown)

Planetary Gear Winch
Drum meets ANSI Ratio Requirement

Remote Pendant Control

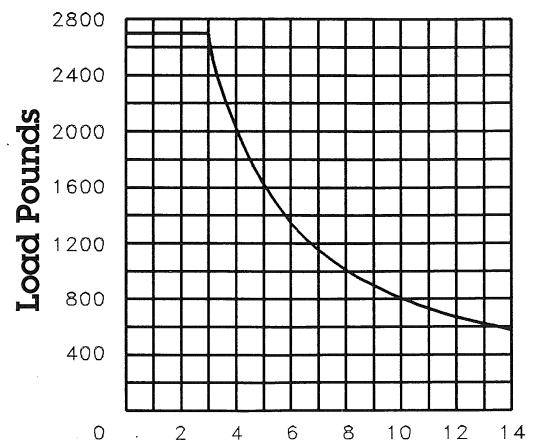
Power Boom Elevation

Electric Hydraulic Pump

Tapered Roller Bearings

WARNING: Liftmoore Cranes
Are Not To Be Used To Lift, Support Or Move Personnel

2700A LOAD CHART

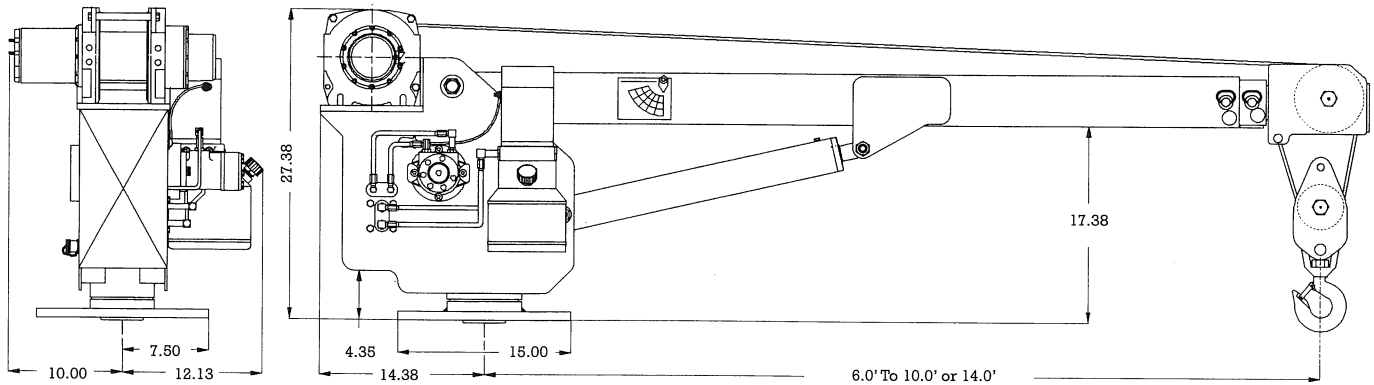


NOTE: Use winch with double line for loads above 1600 lbs.



LIFTMOORE, INC.
11505 Todd
Houston, Texas 77055
FAX (800) 824-5559 (USA & Canada)
FAX (713) 688-6324
(713) 688-5533

2700A SPECIFICATIONS



Model 2700AR Shown

Moment Rating:

8100 Ft.-Lbs.

Lift Capacities:

2700 Lbs. @ 3 Ft.*

1350 Lbs. @ 6 Ft.

810 Lbs. @ 10 Ft.

578 Lbs. @ 14 Ft.

* Use double winch line above 1600 lbs.

Boom:

Standard boom length is 6 Ft manually telescoping to 10 Ft. An optional boom length is offered with the standard 6 to 10 Ft. section and an additional pullout section reaching from 10 to 14 Ft. An intermediate position is provided in each section.

2700A: Boom is elevated by single acting hydraulic cylinder. Boom is lowered by gravity. Cylinder includes a velocity fuse for safety in event of hose failure.

2700AR: Boom is raised by a double acting cylinder with counterbalance valve for safety.

Winch:

Efficient planetary gear drive powered by a 12 Volt D.C. 1.8 HP permanent magnet motor. Winch is controlled by a 12 Volt D.C. contactor controlling hoist up and down. Winch drum to wire rope ratio meets ANSI requirements.

Winch Performance (First Layer)

Load (Pounds)	Hook Speed (Ft. Per Minute)	Electrical Load (AMPS)
1,000	14.5	75
2,000*	7.1	80
2,700*	6.8	100

* Use double winch line above 1600 lbs.

Winch Wire Rope:

Supplied with 1/4" Galvanized Aircraft Cable 62 Ft. long. Breaking strength of cable is 7,000 Lbs.

Power Cable:

25 Ft. battery power cable with quick disconnect plug, master power off switch, 150 Amp circuit breaker, and battery ground wire is included.

Rotation:

Rotation is 360 degree continuous without limit. Crane rotates on tapered roller bearings for smooth, long lasting operation.

2700A: Manual rotation with band brake to help control swing.

2700AR: Power rotation driven by a low speed, high torque hydraulic motor driving a 36:1 ratio worm gearset.

Remote Pendant:

All powered functions are controlled by a remote pendant control that is 3 Ft. longer than the maximum boom length. The pendant control is removable from the crane.

Hydraulic System:

A 12 Volt electric hydraulic pump powers boom elevation on the 2700A and powers boom elevation and crane rotation on the 2700AR.

Load Sensor:

A load sensor switch is mounted on the base end of the elevation cylinder. The switch will shut down winch up and boom down when the cylinder pressure indicates an overload condition. Boom up is limited by the pressure relief setting in the pump.

Mounting:

Four 1/2" Grade 8 bolts and nuts are supplied. Crane mounts on a 15" square base plate with 12" square bolt pattern.

Optional Accessories:

38030 Manual pull out, crank down Outrigger

30328 Jack Stand, Over Centering

30330 Drum Tongs

30681 Pedestal for Pickup Truck Bed

30682 Pedestal for Flat Bed Mount

33099 Boom Rest

Weights:

2700A-10: 525 Lbs.

2700AR-10: 630 Lbs.

LIFTMOORE, INC.
11505 Todd
Houston, Texas 77055
FAX (800) 824-5559 (USA & Canada)
FAX (713) 688-6324
(713) 688-5533