

# LIFTMOORE 3660 CRANE

**36,000 FT.-LB. MOMENT RATING  
6000 LB. MAXIMUM CAPACITY**

Liftmoore's 3660 hydraulic powered crane is just one of the hard working cranes we offer. These cranes are designed for applications requiring longer duty cycles such as loading and unloading or longer lifting lengths.

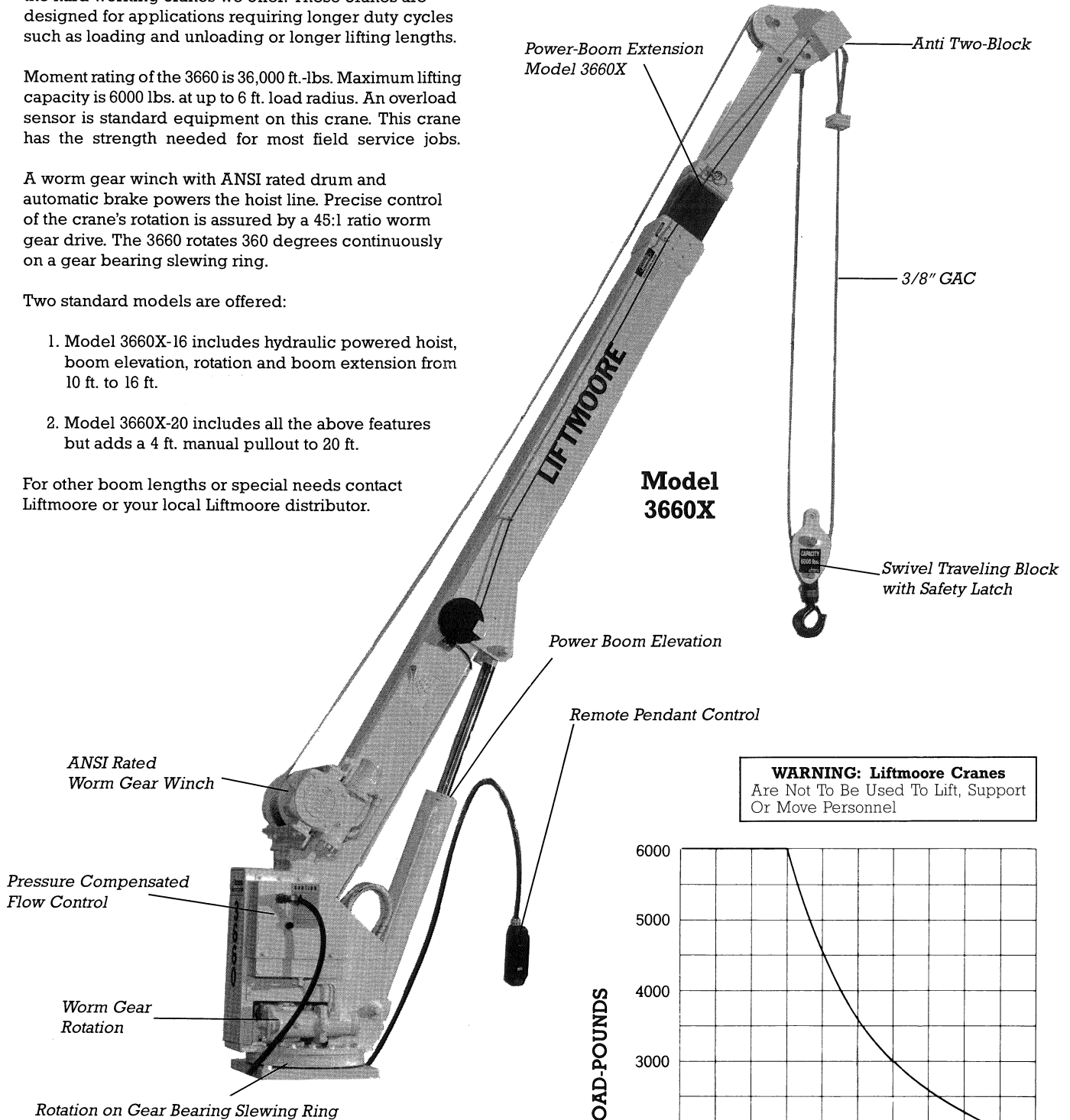
Moment rating of the 3660 is 36,000 ft.-lbs. Maximum lifting capacity is 6000 lbs. at up to 6 ft. load radius. An overload sensor is standard equipment on this crane. This crane has the strength needed for most field service jobs.

A worm gear winch with ANSI rated drum and automatic brake powers the hoist line. Precise control of the crane's rotation is assured by a 45:1 ratio worm gear drive. The 3660 rotates 360 degrees continuously on a gear bearing slewing ring.

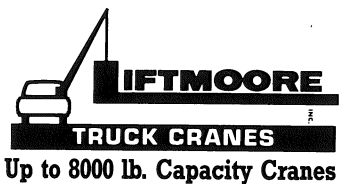
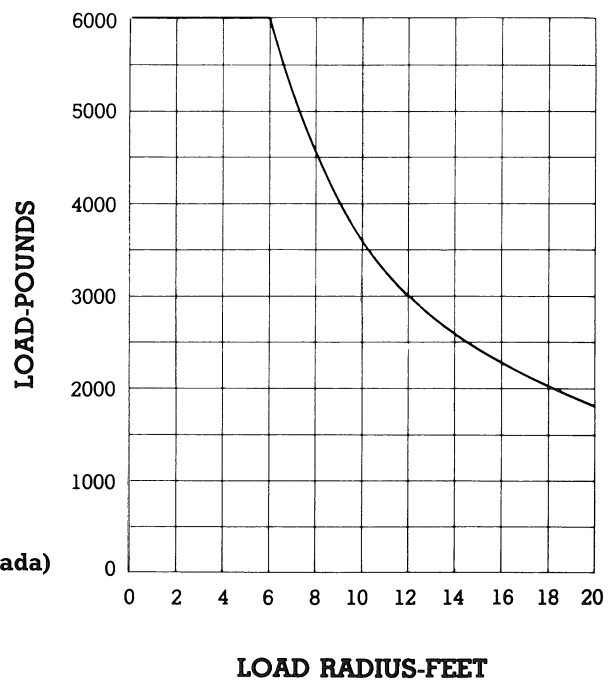
Two standard models are offered:

1. Model 3660X-16 includes hydraulic powered hoist, boom elevation, rotation and boom extension from 10 ft. to 16 ft.
2. Model 3660X-20 includes all the above features but adds a 4 ft. manual pullout to 20 ft.

For other boom lengths or special needs contact Liftmoore or your local Liftmoore distributor.



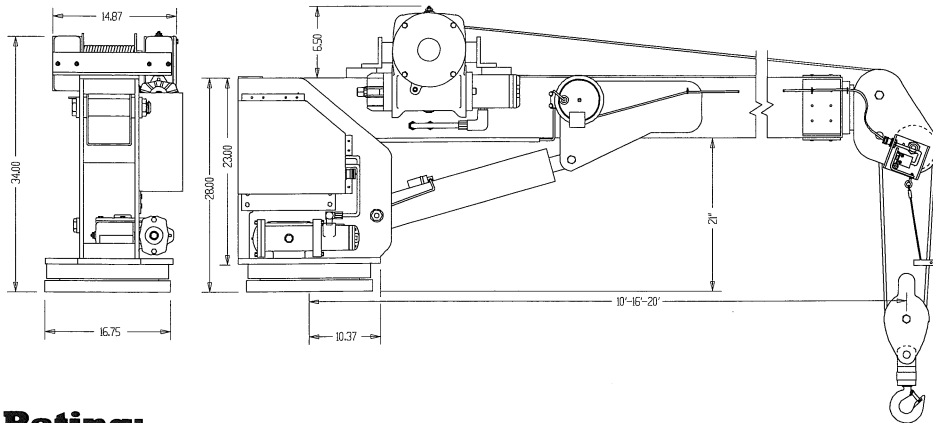
**WARNING: Liftmoore Cranes**  
Are Not To Be Used To Lift, Support  
Or Move Personnel



Up to 8000 lb. Capacity Cranes

**LIFTMOORE, INC.**  
11505 Todd  
Houston, Texas 77055  
FAX (800) 824-5559 (USA & Canada)  
FAX: (713) 688-6324  
(713) 688-5533

# 3660 SPECIFICATIONS



## Moment Rating:

36,000 Ft.-Lbs.

## Lift Capacities:

6000 lbs. @ 6 ft.	2520 lbs. @ 14 ft.
4500 lbs. @ 8 ft.	2250 lbs. @ 16 ft.
3600 lbs. @ 10 ft.	2000 lbs. @ 18 ft.
3000 lbs. @ 12 ft.	1800 lbs. @ 20 ft.

## Boom:

Standard length is 10 ft. to 16 ft. power extension. An optional 4 ft. manual pull out extension to 20 ft. is available. Powered extension booms include nylatron slide pads to reduce friction. An integrally mounted counterbalance valve is included with the cylinder for positive load holding. The boom angle varies from -5 to +75 degrees powered by a 4½" diameter double acting hydraulic cylinder with counterbalance valve.

## Winch:

The winch is a worm gear design with 38:1 gear ratio. A multiple disk safety brake is installed on the worm shaft. The winch is powered by a low speed, high torque hydraulic motor. Winch drum to wire rope ratio meets ANSI requirements. Single line no load speed of the winch is 19 ft. per minute at 6 GPM flow.

## Winch Cable and Block:

3/8" Galvanized Aircraft Cable 95 ft. long is supplied with traveling block for double line operation. Breaking strength of the cable is 14,400 lbs. The swivel hook incorporates a roller thrust bearing for easier turning movement.

## Rotation:

A worm gear speed reducer driven by a low speed, high torque hydraulic motor powers the crane's rotation function. The 3660 rotates on a gear bearing slewing ring. 360 degree continuous unlimited is standard.

## Hydraulic System:

For smooth operation and minimum heat buildup a pressure compensated flow control system is used. The system will not build up pressure above the level required to operate a function. This reduces the heat buildup in the oil and the power required from the engine. A parallel control circuit is used.

An optional **proportional control system** is available. This system provides variable speed control of each crane function with a constant input flow to the crane.

Manual override controls are provided for each hydraulic function.

## Remote Pendant:

All powered functions are controlled by a remote pendant control that is 25 ft. long. The pendant control is removable from the crane to prevent unauthorized use.

## Electrical:

The 3660 crane's powered functions are all controlled by 12 V.D.C. electric solenoid valves. 25 ft. of 10 gauge wire and a 15 amp fuse are included.

## Load Sensor:

A load sensor is standard on the 3660. The load sensor will not allow hoist up, boom up, boom down, or extension when an overload condition exists.

## Anti Two-Block:

The 3660X includes an anti two-block feature that prevents extending the boom against the traveling block and breaking the wire rope.

## Mounting:

Four ¾" Grade 8 bolts are required. Bolts are not included. Crane mounts on a 16¾" square base plate with a 14¾" square bolt pattern.

## Weights:

3660X-16—Actual 1605 lbs.	3660X-20—Actual 1680 lbs.
Shipping 1755 lbs.	Shipping 1830 lbs.

## Optional Accessories:

- 30329 Jack Stand, over centering
- 38038 Outrigger—Manual pull out, crank down
- 38147 Outrigger—Manual out, hydraulic down/up
- 38148 Outrigger—Hydraulic in/out, hydraulic up/down
- 32624 Pedestal
- 31820 Boom Rest



**LIFTMOORE, INC.**  
**11505 Todd**  
**Houston, Texas 77055**  
**FAX (800) 824-5559 (USA & Canada)**  
**FAX: (713) 688-6324**  
**Up to 8000 lb. Capacity Cranes (713) 688-5533**