

LIFTMOORE 5000W CRANE

**25,000 FT.-LB. MOMENT RATING
5000 LB. MAXIMUM CAPACITY**

The Model 5000W is another of Liftmoore's versatile crane products. Three or four powered functions driven by a 12 Volt DC electrical system are offered. Power control of rotation, boom elevation and hoist winch is standard with the option of either manual or powered boom extension.

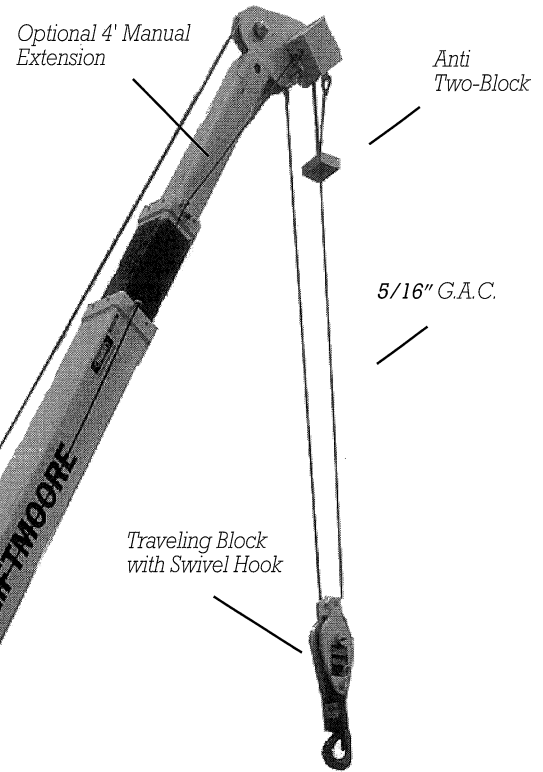
This model features a planetary gear winch driven by a series wound reversible electric motor. This is the most efficient possible lifting mechanism for this type of equipment. No load line speed is 28 feet per minute.

Moment rating of the 5000W is 25,000 ft.-lbs. Maximum capacity is 5000 lbs. Plenty of capacity for many field service jobs.

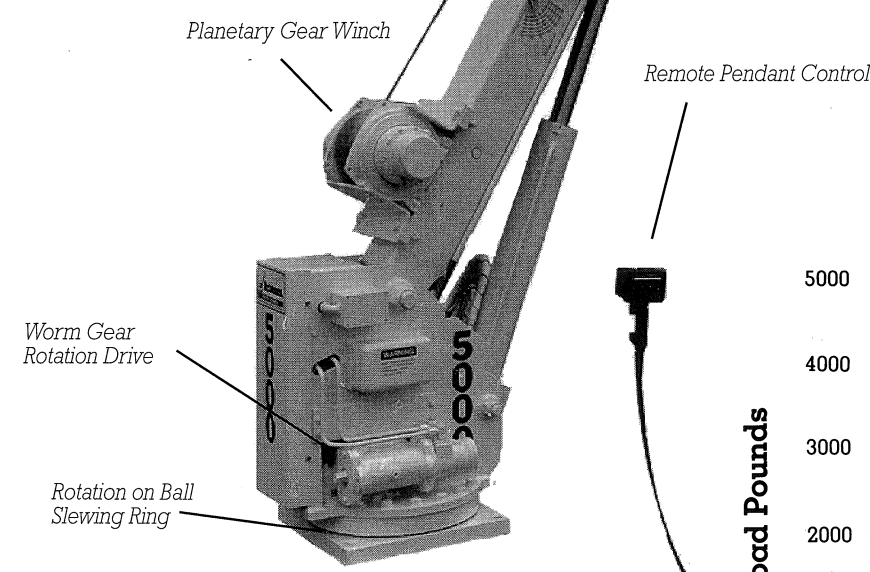
Rotation is powered through a worm gearbox for precise control and positive locking. The crane rotates on a gear bearing slewing ring. With the electric swivel included in this model, rotation is continuous and unlimited.

Boom lengths are either 10 to 16 ft. or 10 to 16 ft. with a manual pullout section to 20 ft. The boom is manually extended on the 5000W and power extended on the 5000WX.

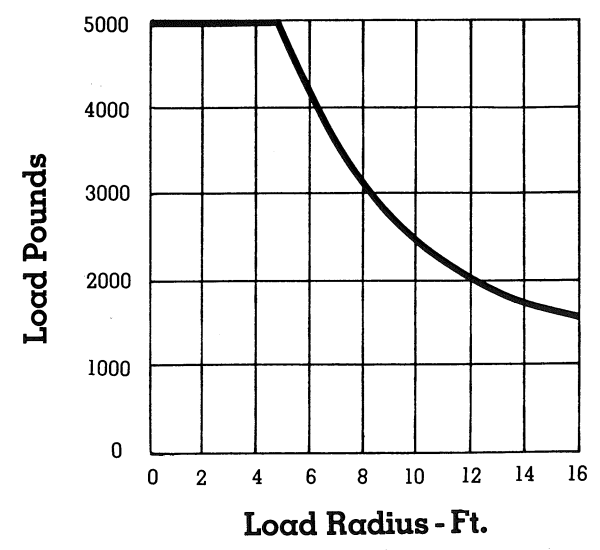
The remote pistol grip type pendant provides efficient one man operation and control of the crane. With this remote pendant control of the powered functions, one man can safely perform many field service operations.



Model 5000WX-20
(Shown)

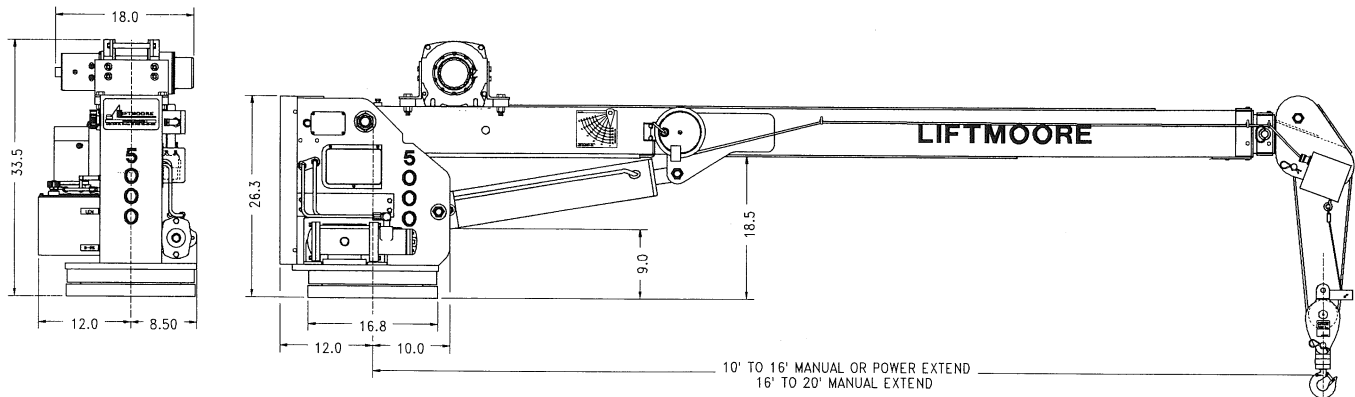


WARNING: Liftmoore Cranes
Are Not To Be Used To Lift, Support
Or Move Personnel



LIFTMOORE, INC.
11505 Todd
Houston, Texas 77055
FAX (800) 824-5559 (USA & Canada)
FAX (713) 688-6324
(713) 688-5533

5000W SPECIFICATIONS



Moment Rating:

25,000 Ft.-Lb.

Lift Capacities:

5000 lbs. @ 5 ft.	1785 lbs. @ 14 ft.
3125 lbs. @ 8 ft.	1562 lbs. @ 16 ft.
2500 lbs. @ 10 ft.	1388 lbs. @ 18 ft.
2083 lbs. @ 12 ft.	1250 lbs. @ 20 ft.

Boom:

Standard length is 10 ft. to 16 ft. with either manual (5000W) or power (5000WX) extension. An optional 4 ft. manual pull out extension to 20 ft. is offered. Powered extension booms include nylatron slide pads to reduce friction. An integrally mounted counterbalance valve is included with the cylinder for positive load holding. The boom angle varies from -5 to +75 degrees powered by a 4 in. diameter double acting hydraulic cylinder with counterbalance valve.

Hoist Winch:

The hoist winch is planetary gear driven for the most efficient operation in the industry. The winch is powered by a 2.1 HP 12 Volt DC series wound electric motor. Single line no load speed of the winch is 28 feet per minute. Winch drum to wire line ratio meets ANSI requirements.

Winch Wire Rope and Block:

5/16 in. Galvanized Aircraft Cable 80 ft. long is supplied. Cable breaking strength is 9600 lbs. and conforms to ANSI requirements. A traveling block is supplied for use on single or double line rigging. The block includes a roller thrust bearing swivel hook for easier rotation of the load.

Rotation:

A 45:1 worm gear speed reducer driven by a low speed, high torque hydraulic motor powers the crane's rotation. The 5000W rotates on a gear bearing slewing ring. An electric swivel allows 360 degree continuous and unlimited rotation.

Power Source:

This crane operates on a 12 Volt DC operating system. For best results an additional battery should be installed near the crane. This battery should be as large as possible. Use of a "Deep Cycle" battery is recommended.

A master cutoff switch, quick disconnect, circuit breaker and battery wire for standard truck installation are supplied.

Remote Pendant:

All powered functions are controlled by a remote pendant control that is 25 ft. long. The pendant control is removable from the crane. All switches used in the pendant are momentary contact type.

Load Sensor:

A load sensor is standard on the 5000W. The load sensor will not allow hoist up, boom down or extension out when an overload is detected.

Anti Two-Block:

The 5000W is supplied with an anti two-block device that prevents extending the boom against the traveling block. The anti two-block stops boom out, boom down and hoist winch up.

Mounting:

Four 7/8" Grade 8 bolts are required. Bolts are not included. The crane mounts on a 16-3/4 in. square base plate with a 14-3/4 in. square bolt pattern.

Weight:

5000W-16 Actual 1370 lbs. 5000WX-20 Actual 1480 lbs.

Optional Accessories:

- Outrigger - Manual pull out, crank up/down
- Outrigger - Manual pull out, hydraulic up/down
- Outrigger - Hydraulic in/out, hydraulic up/down
- Pedestal
- Boom Rest
- Jack Stand



Up to 8000 lb. Capacity Cranes

Bulletin 445 2/00

LIFTMOORE, INC.

11505 Todd

Houston, Texas 77055

FAX (800) 824-5559 (USA & Canada)

FAX (713) 688-6324

(713) 688-5533